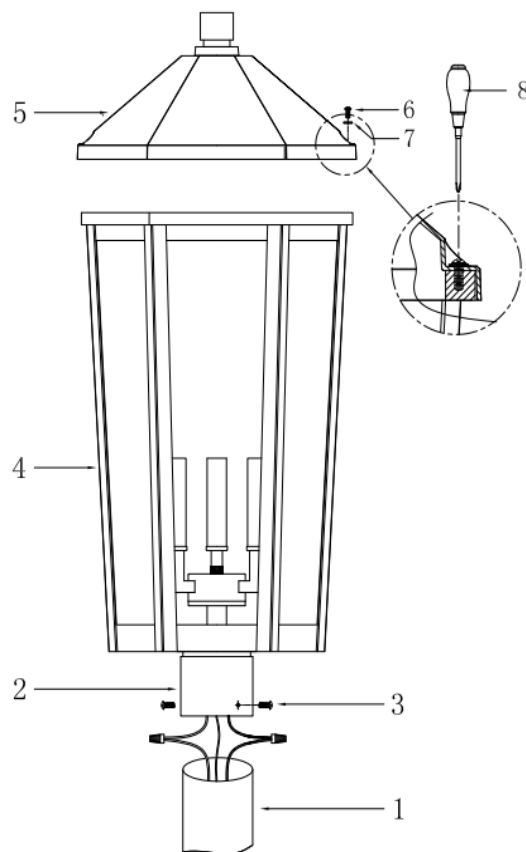




ASSEMBLY AND INSTALLATION INSTRUCTIONS for the **926934** Outdoor Fixture

Important Safety information (Please read before proceeding)

1. Remove the fixture, parts and all mounting hardware bags (orange) from the carton and verify that all parts are present according to the illustration sheet. All parts must be used as indicated. Do not replace any parts, leave any parts out, or use any parts which are worn out or broken. **Failure to follow the instructions could cause a hazardous situation, voids the warranty and violates the U.L. listing of the fixture.**
2. To prevent the electric shock, turn off the main power at the circuit breaker before installing the fixture. **NEVER attempt to install, clean or replace bulbs without shutting off the electricity to the fixture.**
3. **Never use light bulbs with wattage ratings that exceed the fixtures maximum rating.** Always make sure the electric current is turned off before changing the bulbs.
4. If you experience difficulties installing the lighting fixture or it fails to work as expected, please contact a local qualified licensed electrical contractor.
5. Please contact your local Capital Lighting Fixture reseller with any assembly or installation questions. Your local reseller can also provide you with replacement parts for your new fixture.



Components

1. Post
2. Post Cover
3. Screw
4. Fixture
5. Roof
6. Philips Screw
7. Rubber Washer
8. Philips Screw Driver (not provided)

Assembly Instructions for the 926934 Post Mount outdoor fixture

1. Disassemble the pre-installed Roof (5) from Fixture (4), then take out the protecting crushing materials.
2. Slip Post Cover (2) over Post (1) and mark the position of mounting holes in Post (1). *Note: Post not provided. Note: Verify that the fixture is all the way down on the post prior to marking holes.*
3. Remove Post Cover (2) from Post (1).
4. Drill 3/16" Dia holes in Post (1) at positions marked.
5. Lower Fixture (4) toward Post (1), then connect the fixture ground wire to the outlet box ground wire with the wire connector supplied; connect the white fixture wire to the white power supply wire with the wire connector supplied; connect black fixture wire to the black power supply wire with wire connector supplied.
6. Verify all wires are securely inside Post (1) before slipping Post Cover (2) over Post (1), and secure in place using provided Screws (3). Screws (3) should screw into holes drilled in the post.
7. Insert recommended bulbs per wattage label indicated onto Sockets.
8. Lower Roof (5) onto the top of Fixture (4), then secure it with Rubber Washers (7), Philips Screws (6), and Philips Screw Driver (not provided) (8).